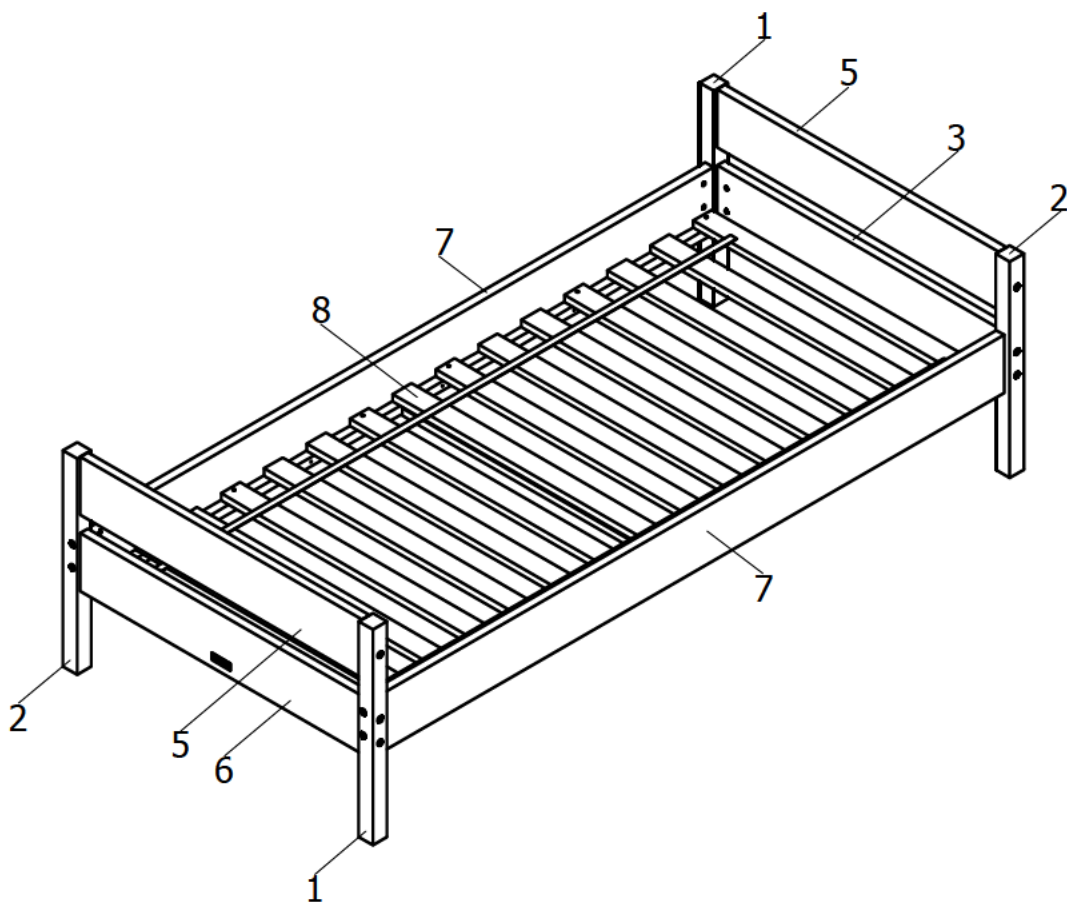


bopita®

ASSEMBLY INSTRUCTION
MONTAGE HANDLEIDING
MONTAGE ANLEITUNG
NOTICE DE MONTAGE
MANUAL DE MONTAJE

UK
NL
D
F
ESP

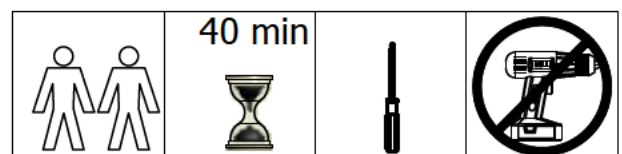
MODEL : LUCAS
TYPE : BED 90X200
COLOUR : WHITE/NATURAL
ART.CODE : 154232.03





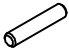





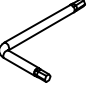
Distributor:

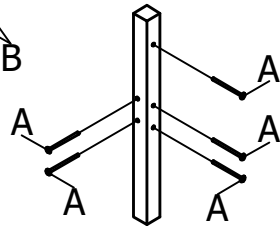
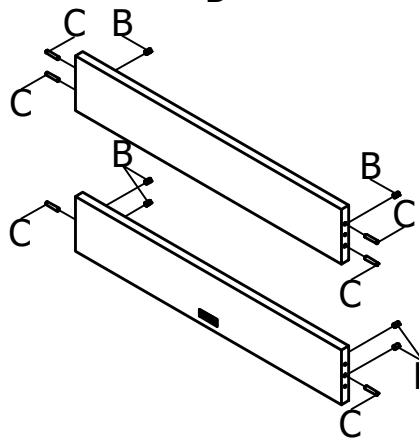
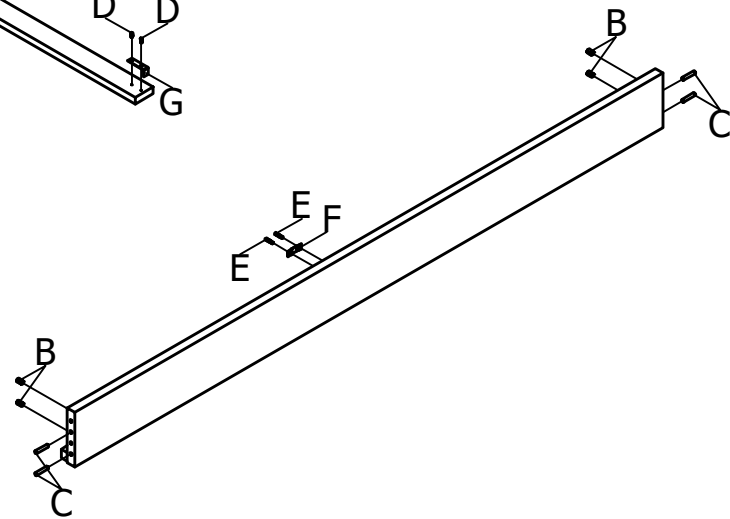
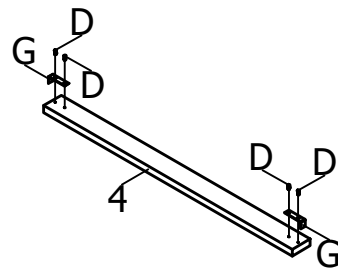
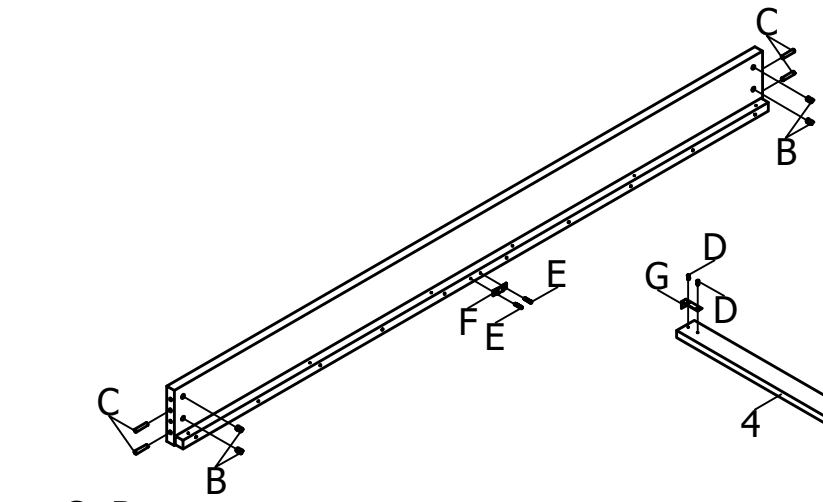
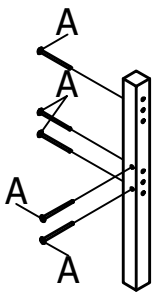
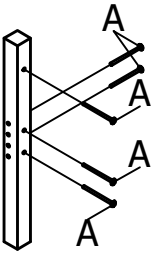
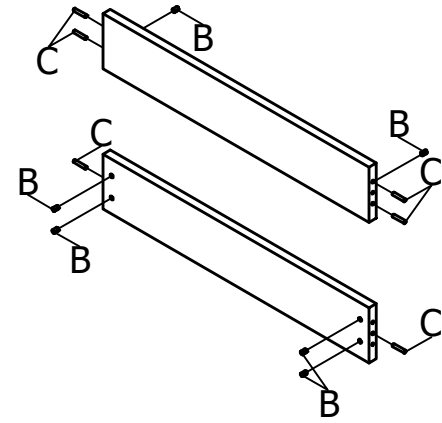
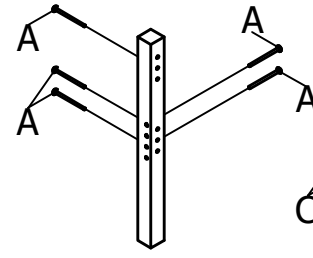
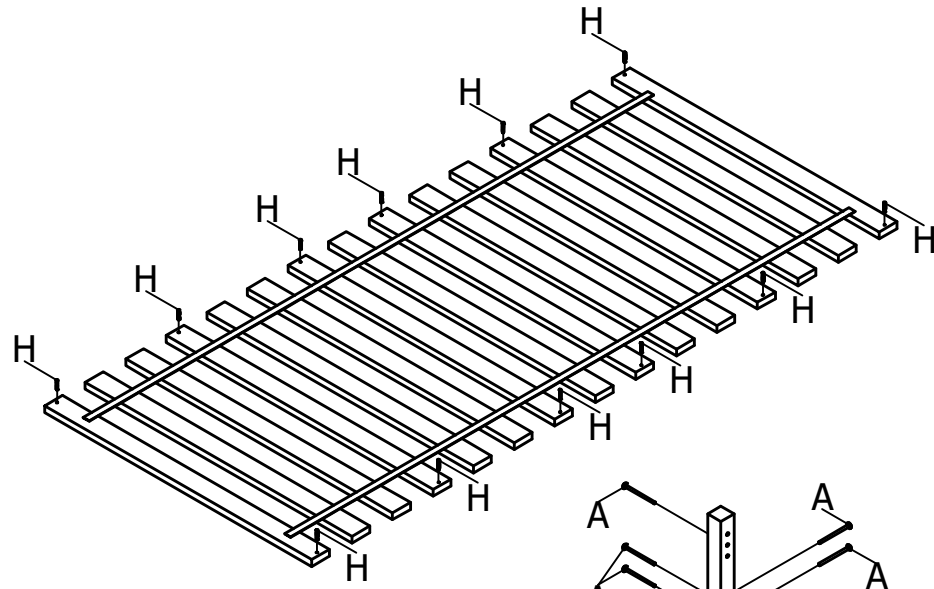
BOPITA
Energieweg 1
6662 NS Elst
The Netherlands

www.bopita.com

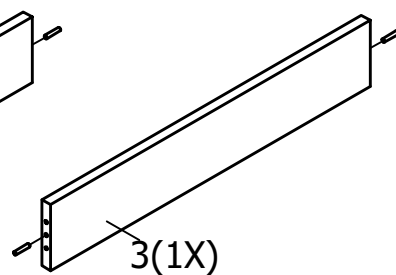
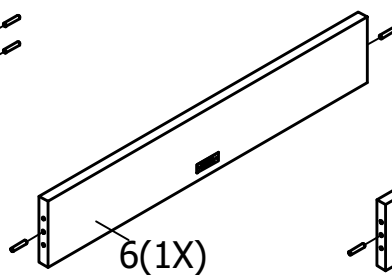
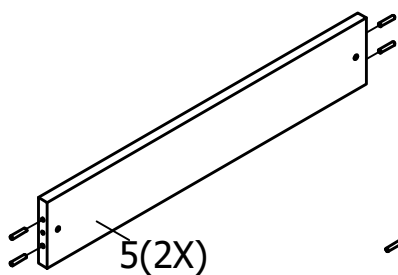
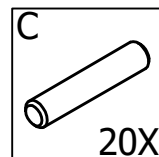
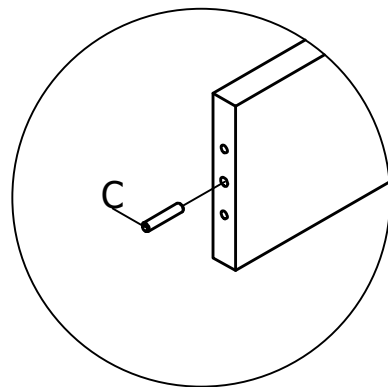
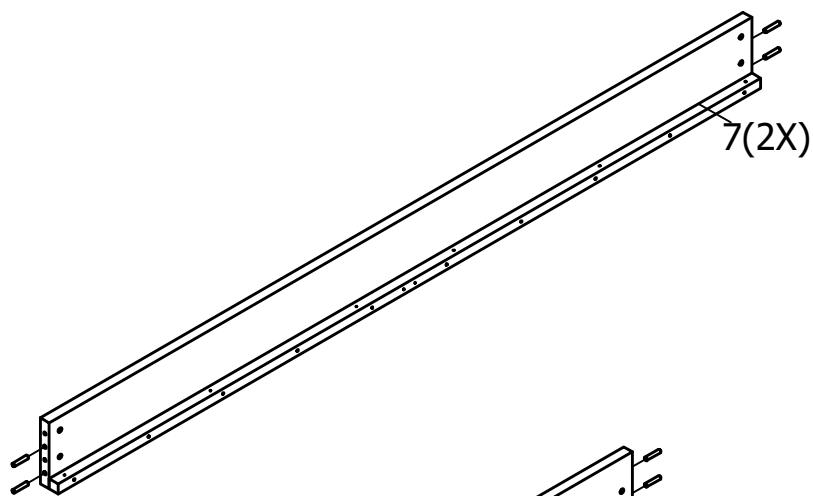


12.06.2023.

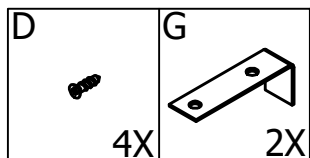
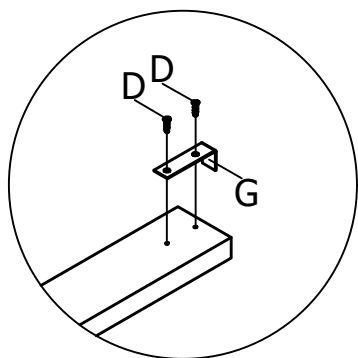
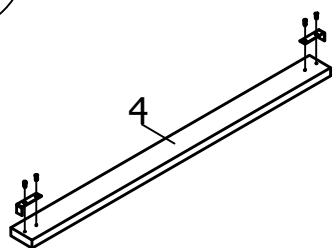
A		B		C		D		E	
M6X80	20X	M6	20X	Ø8X40	20X	3.5X16	4X	3.5X25	4X
F		G		H		I			
	2X		2X	3.5X35	12X	SW4	1X		



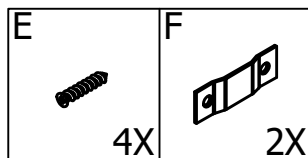
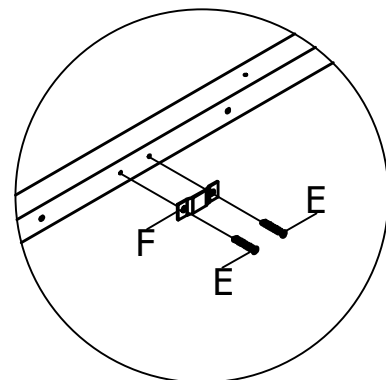
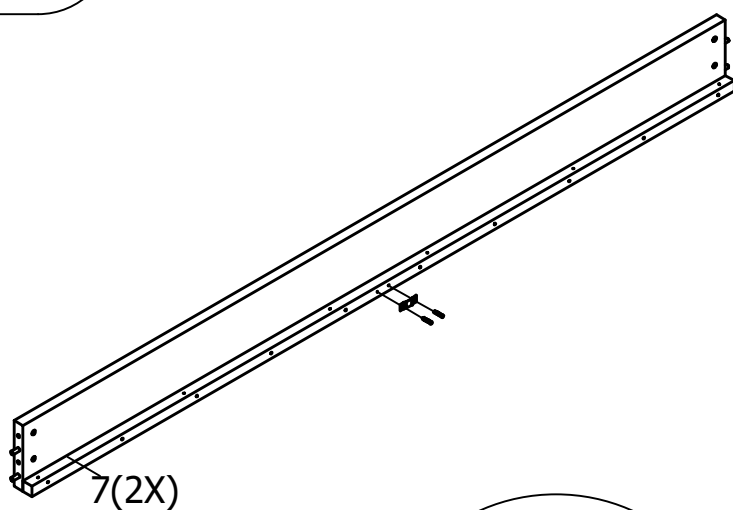
1



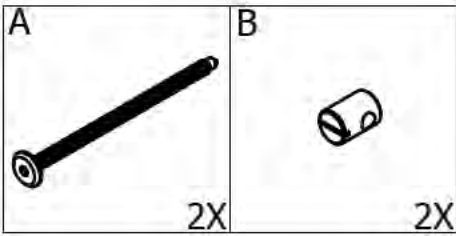
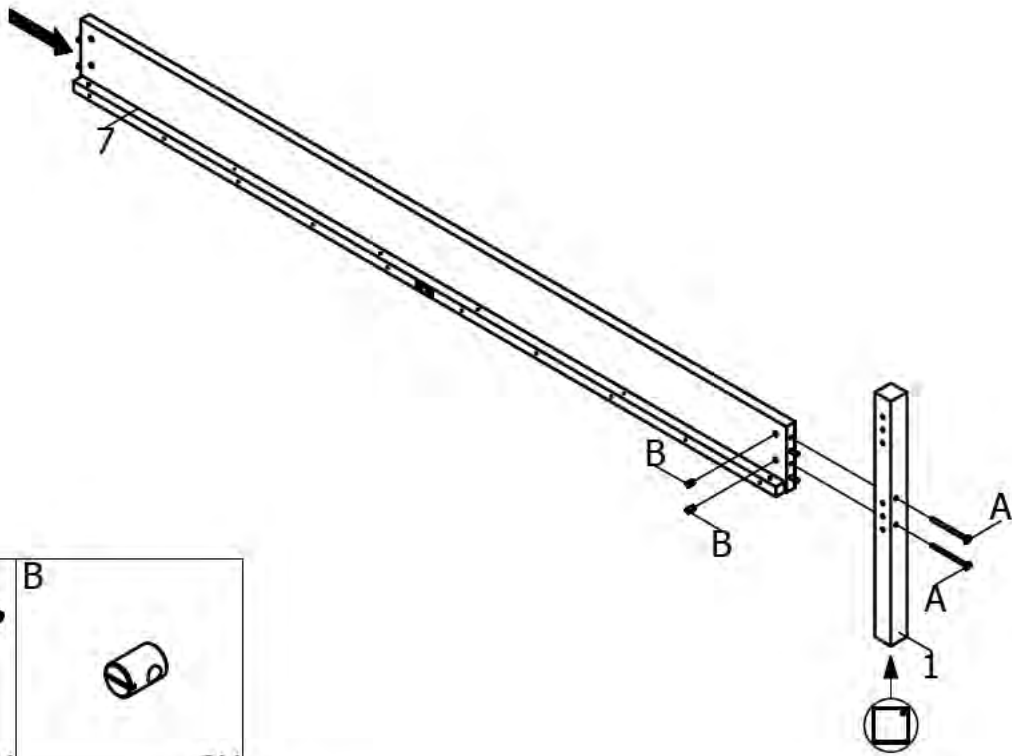
2



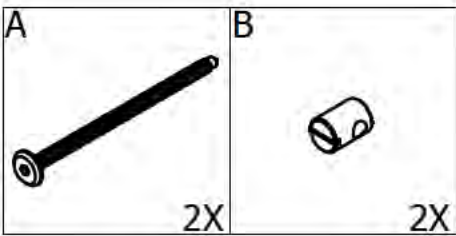
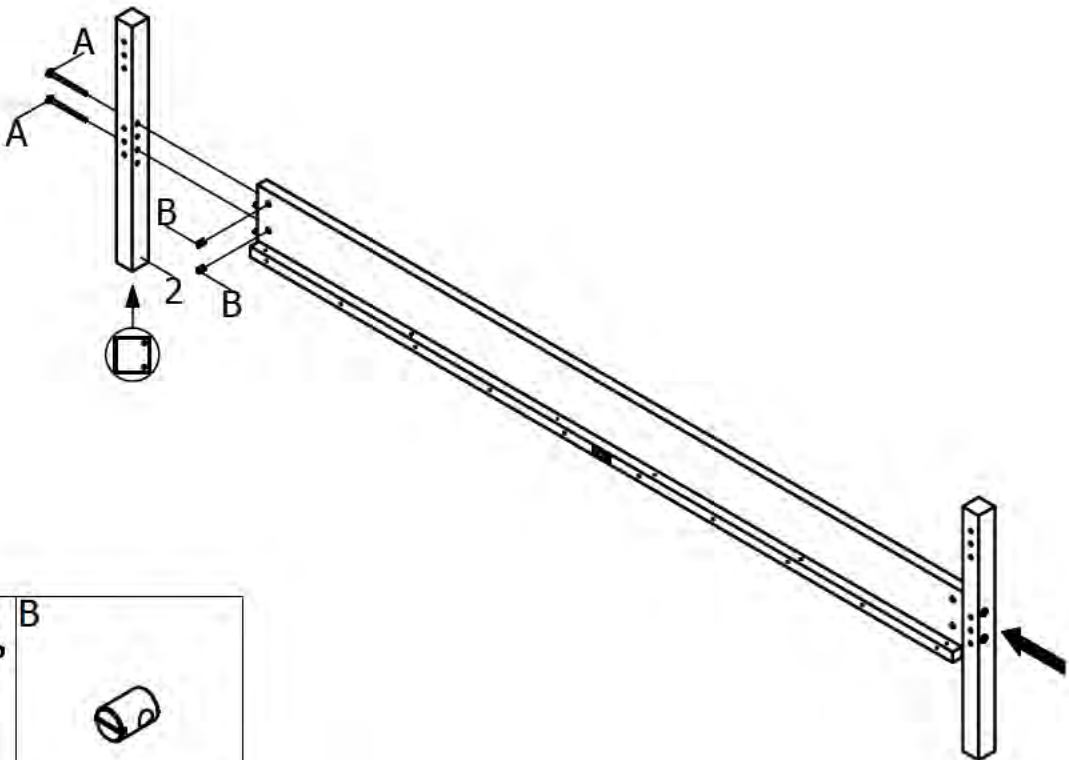
3



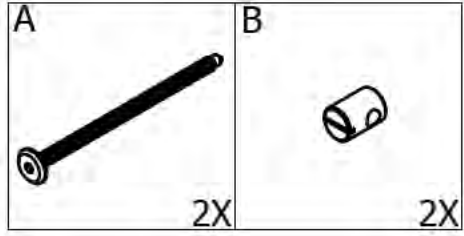
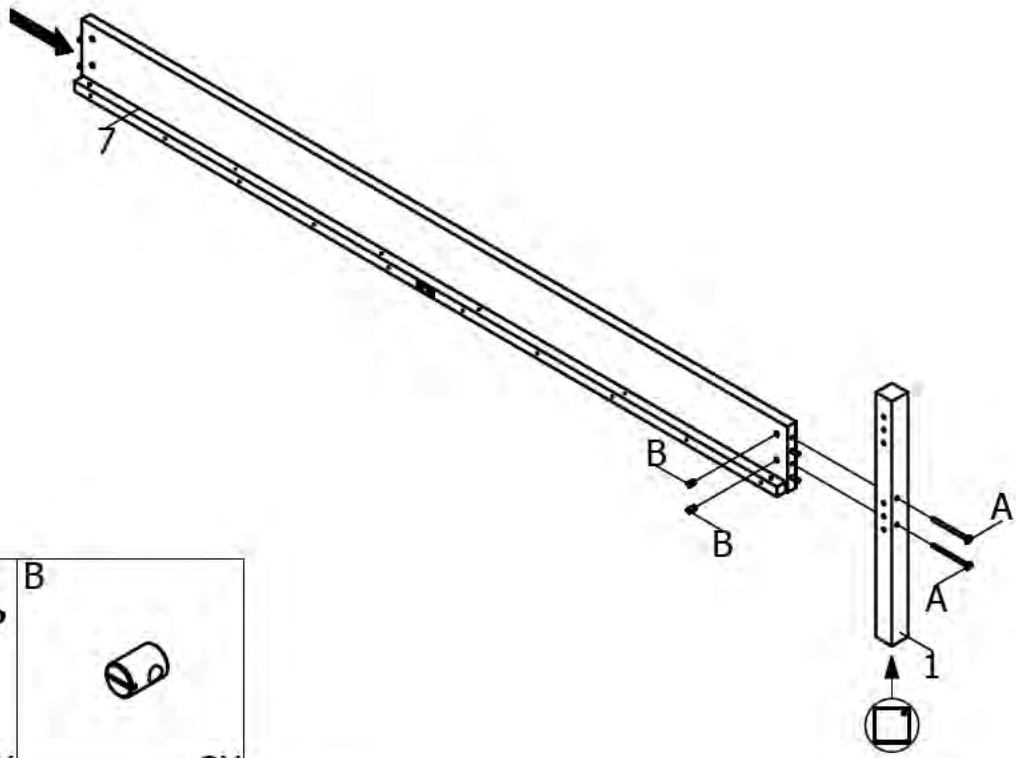
4



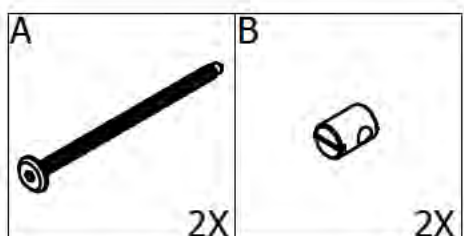
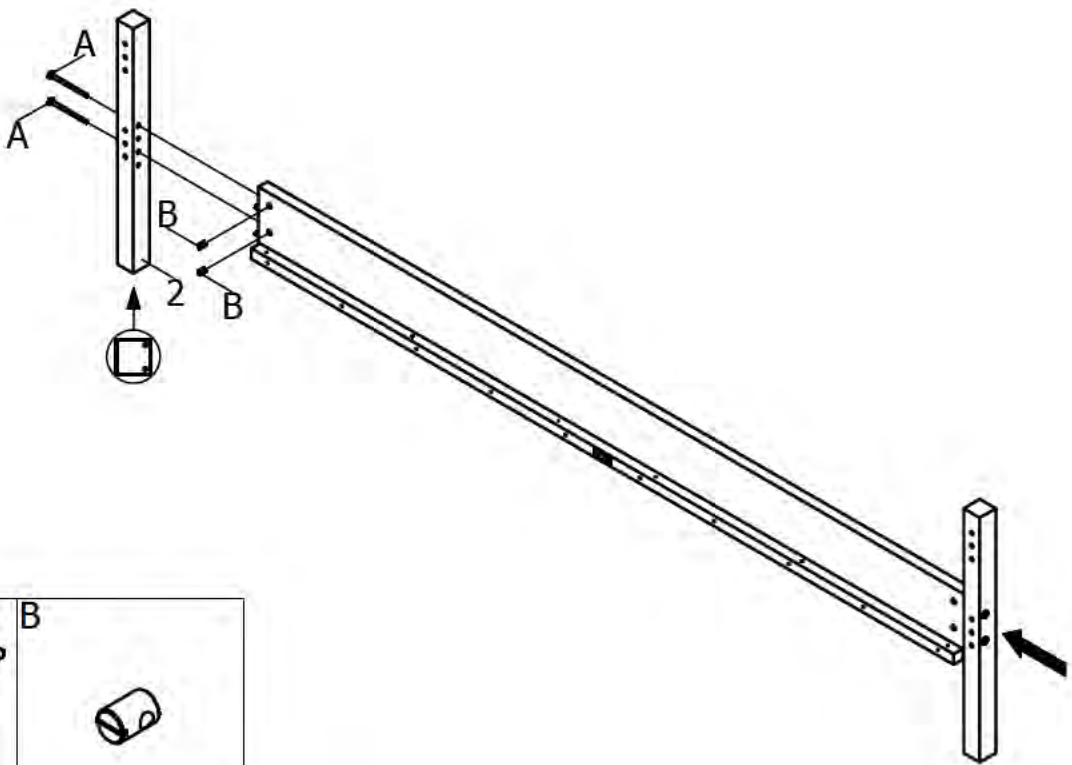
5



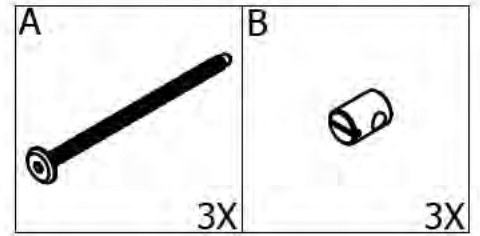
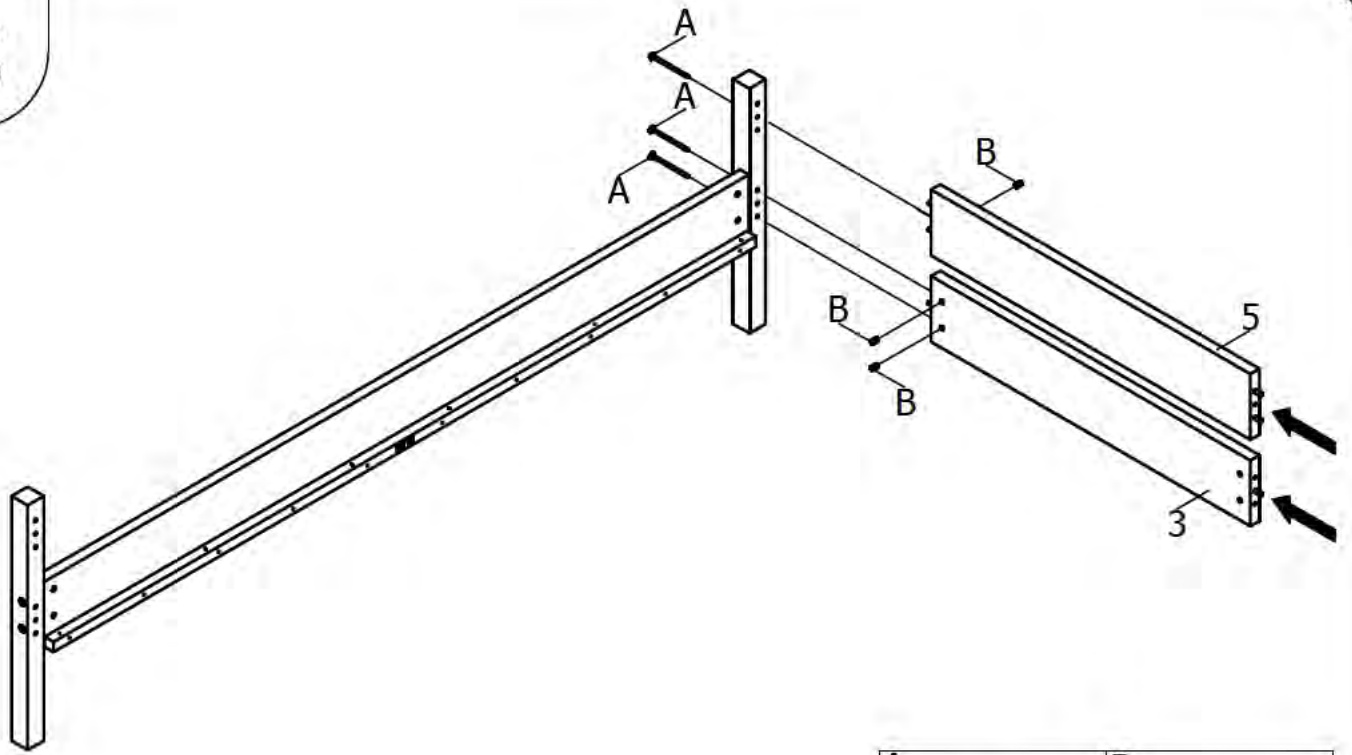
6



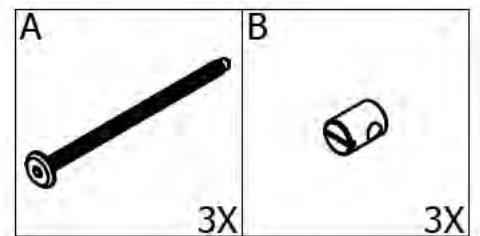
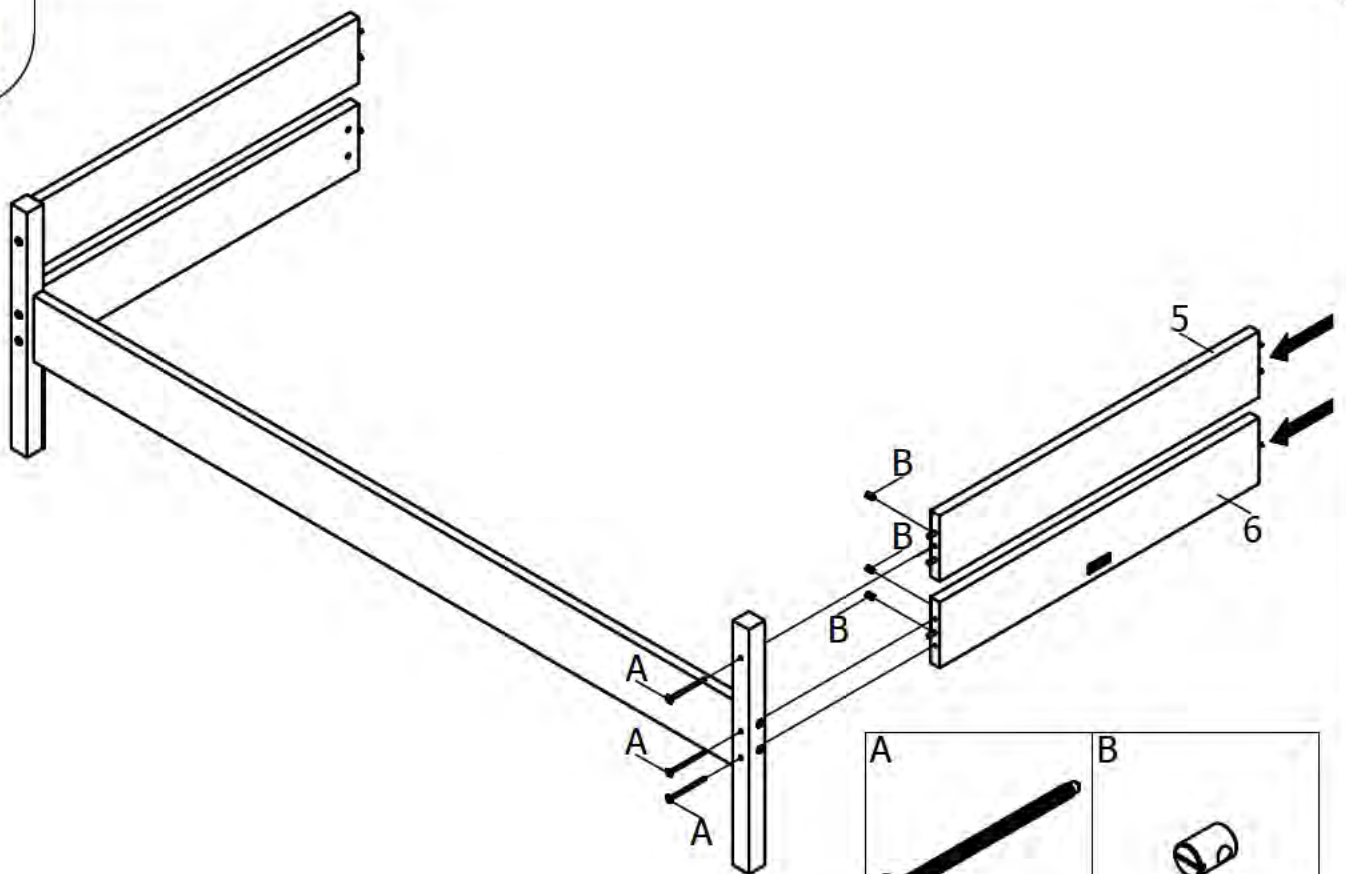
7



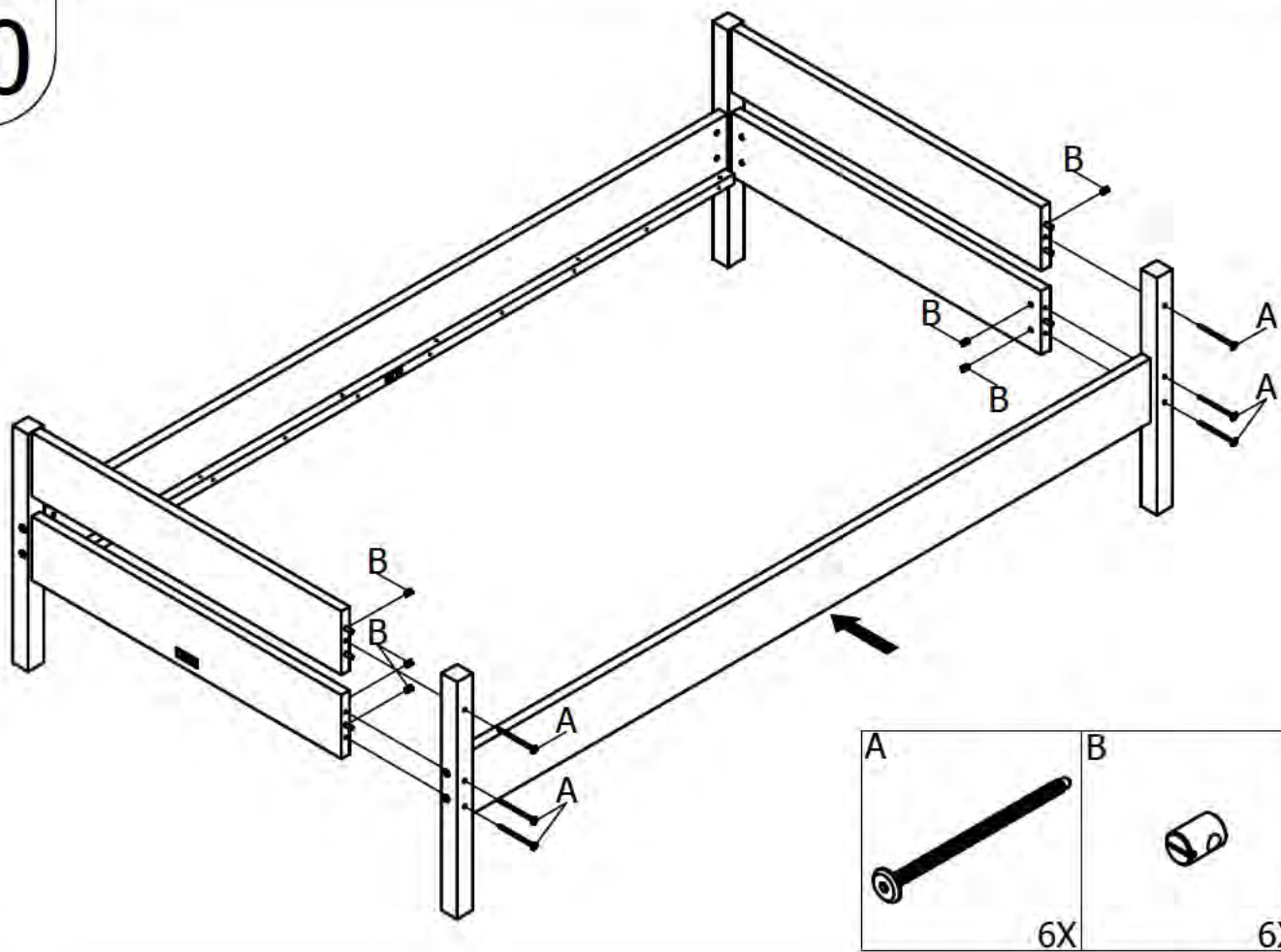
8



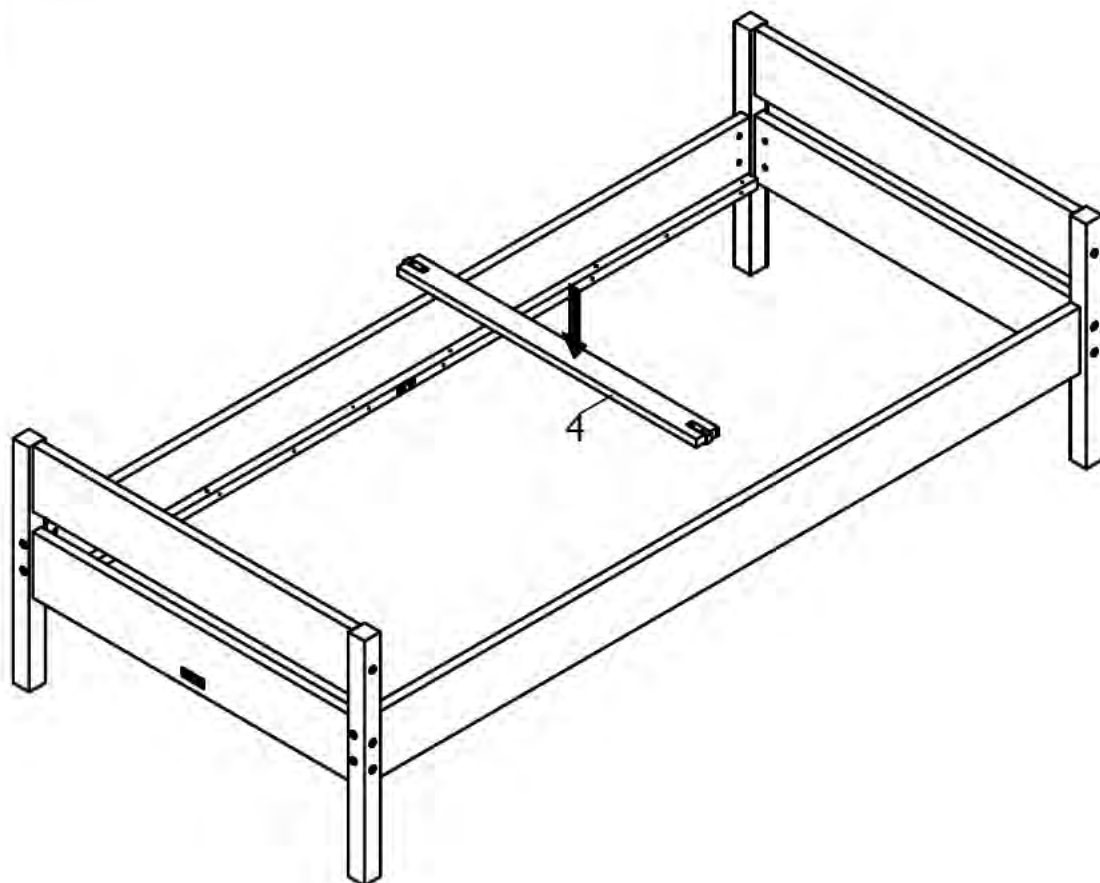
9



10



11



12

